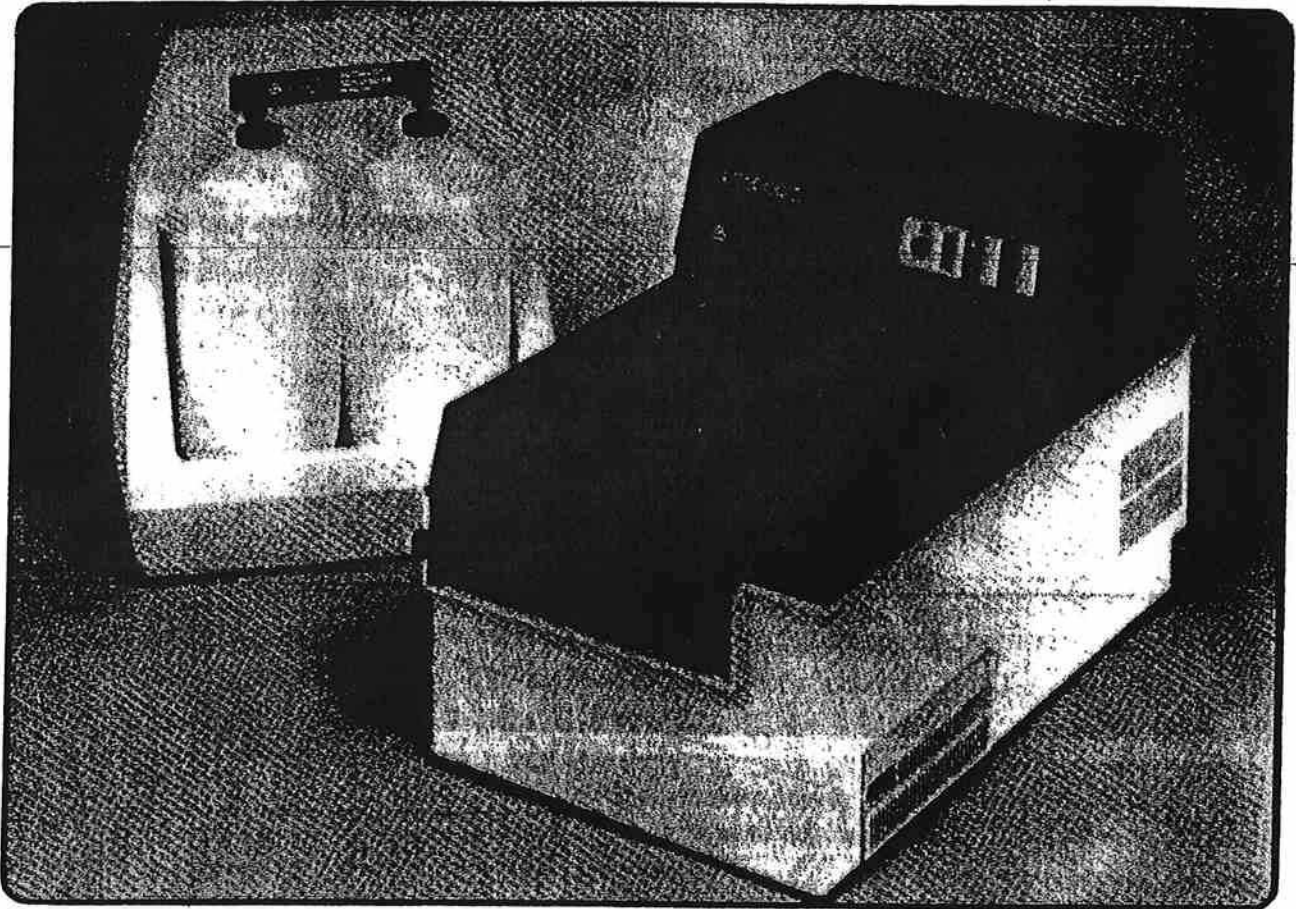


A/T 2000m
INSTALLATION and
OPERATION INSTRUCTIONS



All-Pro Imaging Corp.

70 CANTIAGUE ROCK ROAD

P.O. BOX 870

HICKSVILLE, N.Y. 11802

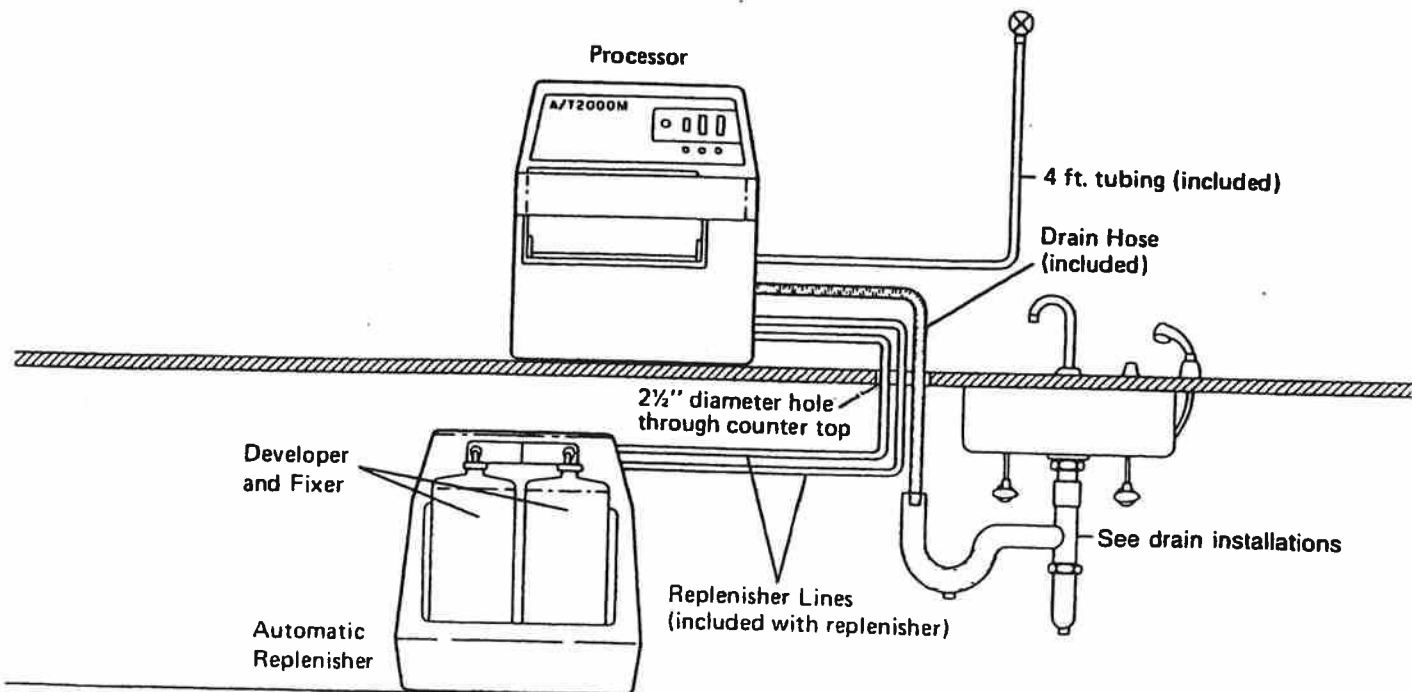
TEL. (516) 433 - 7676

TABLE OF CONTENTS

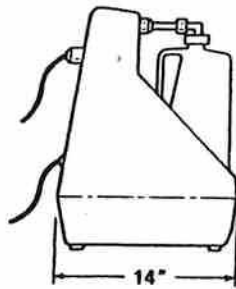
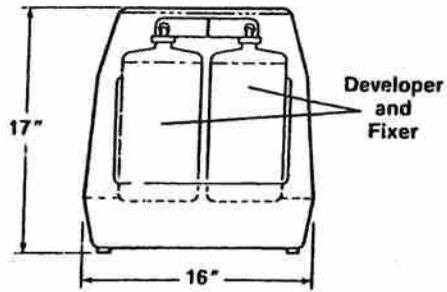
	<i>Page</i>
Pre-Installation Considerations	1
Specifications	1
Installation	3
Check-Out Procedure	5
Preparation for Operation	5
Daily Operation	6
Processing Films	7
Maintenance	7

PRE-INSTALLATION CONSIDERATIONS

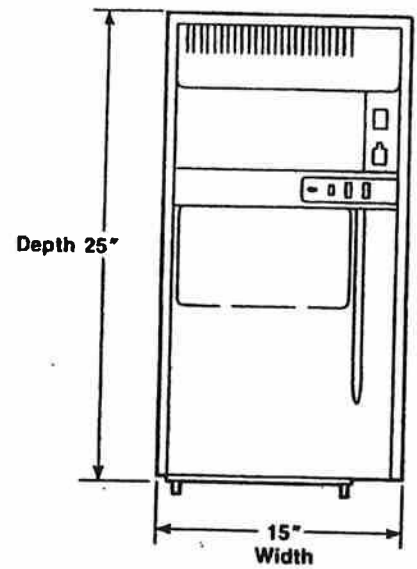
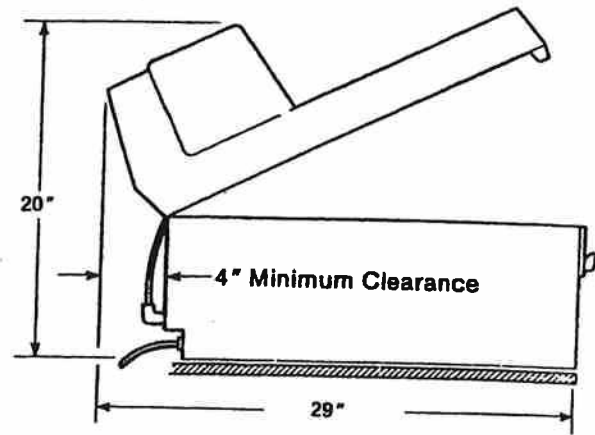
SPECIFICATIONS	REQUIREMENTS
Electrical: 115 VAC, 60 Hz, 8 amp.	15 amp, 3 prong grounded outlet
Water Flow: ½ gallon per minute (only while processing film).	A water softener should not be used.
Vacuum Breaker: Built-in air gap provides backflow protection.	
Water Pressure: 80 psi maximum/30 psi minimum.	Install manual water shutoff near processor.
Water Connection: ¼" male straight pipe fitting at rear of processor.	4 ft. tubing supplied: ¼" female straight pipe fitting X female garden hose fitting. Connect to ¼" male garden hose fitting with shutoff.
Water Temperature: Cold water supply (Water temperature should not drop below 45° F or rise above 100° F.).	A thermostatic mixing valve not required if water temperature is within 45° F to 100° F.
Drain: Open, vented PVC trap; no copper or brass should be used.	1½" minimum diameter, 4 ft. flexible drain hose is supplied.
Darkroom Ventilation: Air temperature in darkroom should not exceed 85° F.	The A/T 2000 M generates heat while processing film. Adequate ventilation must be provided to maintain darkroom temperature at 85° F or less.
Dimensions: A/T 2000 M - 15" W x 16" H x 25" D Automatic Replenisher - 16" W x 17" H x 14" D	Check the illustrations for required clearances. The Automatic Replenisher may be installed below or next to the A/T 2000 M. Do not install above level of processor.
Weight: A/T 2000 M - 92 lbs. with water and chemistry. Automatic Replenisher - 35 lbs. with chemistry.	
Safelight Filter: Refer to film manufacturer's specifications.	Install at a minimum of 4 feet away from processor.
Tubing Connections:	
Developer replenishment } Fixer replenishment }	8 ft. of color coded tubing provided. Connects to finger tightened fittings at rear of processor.
Drain	4½ ft. length installs at rear of A/T 2000 M. (Drain hose must slope continuously downward toward drain without any "U"s or upward bends.)
Optional Developer and Fixer Recovery Kit	Separate tubings connect to each tank (except water, which uses existing drain) and allows for draining of developer and fixer into separate containers (not supplied).



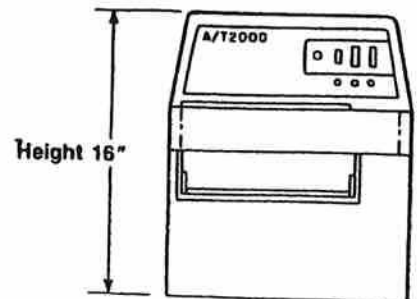
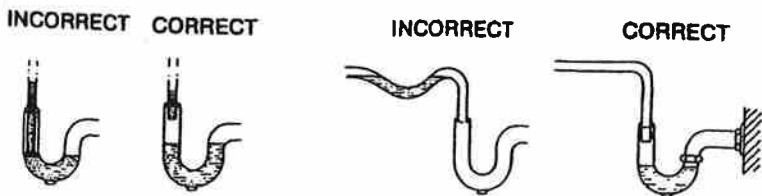
Automatic Replenisher Dimensions



A/T 2000 M Dimensions



DRAIN INSTALLATIONS



INSTALLATION INSTRUCTIONS

Unpacking

1. Remove processor and accessories from the styrofoam packing.
2. Remove strapping, plastic covering and labels from the processor. Separate the processor base from the cover.
3. Remove the 3 roller transports from their individual styrofoam packing.
4. Remove the Automatic Replenisher from its carton.

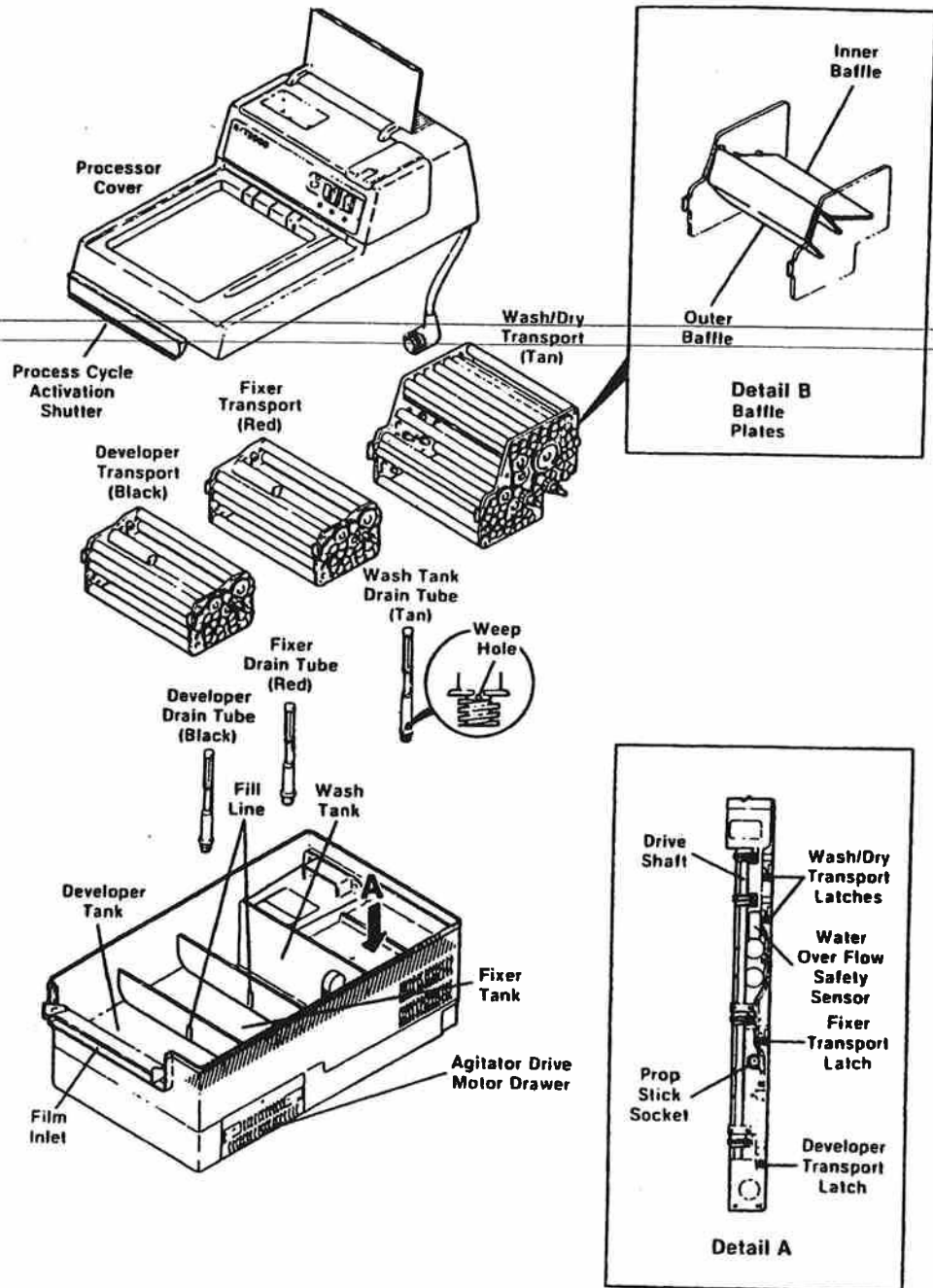


FIGURE 1

Mounting

1. The A/T 2000 M base assembly should be mounted onto a firm, level surface. Make sure all packing materials and labels are removed.

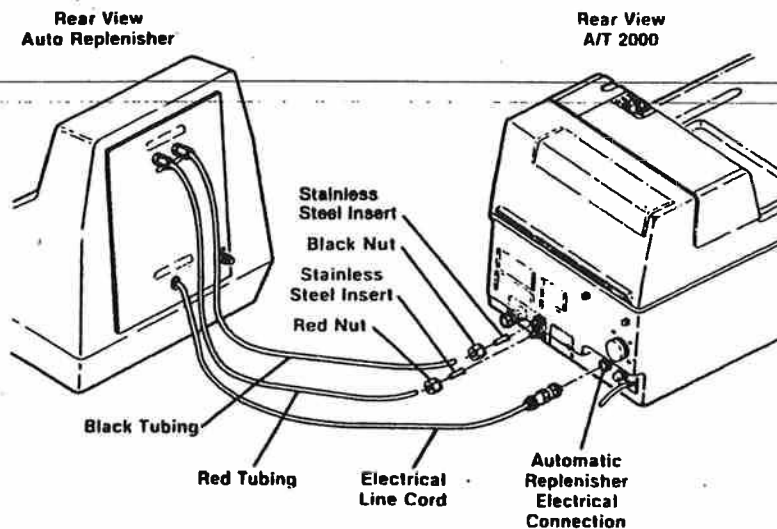
NOTE: A non-level surface can cause many problems with the processor. Obtain a leveling base (PN 43100) if a level surface cannot be provided.

Plumbing Connections

1. Install drain hose onto the processor's drain outlet and secure with clamp. Be certain hose slopes continuously downward toward drain without any "U"s or upward bends.

NOTE: Drain tubing should fit loosely into drain trap to allow air to escape. If necessary, cut tubing to provide an air gap between end of tubing and the liquid level in the drain.

2. Connect the flexible water supply tubing to the fitting at the rear of the A/T 2000 M. Connect the other end to a shutoff valve on the main plumbing.
3. Turn on water supply and check for leaks.



Automatic Replenisher

1. Remove the red and black plastic nuts and plugs from the rear of the A/T 2000 M.
2. Save the nuts, but, discard the plugs.
3. Slip nuts over tubings coming from the Replenisher (black on to black, red on to red).
4. Place a stainless steel insert (from the accessory bag) into the end of each tubing (flared end out). This will stiffen tubings.
5. Connect each tubing and nut to its respective bulkhead fitting (black to black, red to red) at the rear of the A/T 2000 M.

NOTE: Make sure the tubings are pushed onto the bulkhead as far as they will go before screwing on the nuts. Hand tighten the nuts securely to prevent leakage.

6. Plug the line cord from the Automatic Replenisher into the receptacle at the rear of the A/T 2000 M base. Turn retaining ring to secure the plug to the receptacle.
7. Be sure the Replenisher tubings are not crimped at any point and that the Phillips head screws were removed from the Fixer and Developer Tanks, or Replenisher damage may result.

Check-Out Procedure

1. Screw color-coded drain tubes from the accessory kit into the tanks; black in front, red in middle and tan in rear tank.
 2. Plug the processor's line cord into a grounded 115V wall outlet.
 3. Fill the developer and fixer tanks with water.
 4. Install cover onto processor. Connect the cover electrical cord to the base. (The boot on the plug should be in the 12 o'clock position.) Secure by rotating the lock ring.
 5. Turn on water supply.
 6. Turn on power switch. Power light, temperature indicator and time display will illuminate.
 7. Lift service lid and press 'DISPLAY SET TEMP.' button.
 - a. 88° F should appear on temperature display.
 - b. If not, adjust to 88° F following instructions under lid.
 8. Set Time Control to 2.5 minutes.
 9. Depress the Process Switch. It should return to its original position. The Processing Light will illuminate, water will enter the wash tank, and the drive motor and dryer fan will run. Check for leaks.
-
10. After process cycle stops, turn off the Power Switch. Unscrew drain tubes and allow all tanks to drain.
 11. Turn off water supply.

A/T 2000 M Preparation for Operation

1. Remove the A/T 2000 M cover. If transports are installed, pull back latches and remove. Be sure the tanks, transports and cover are free of packing materials and dust. Make sure that transports and tanks are washed thoroughly before filling with chemistry.
2. With transports removed, screw in color coded Developer, Fixer and Wash Tank Drain Tubes. Black in front tank, red in middle tank and tan in rear tank.
3. Fill Fixer (middle) Tank with 3 quarts of Fixer. Note the fill line on the tank. (See Figure 1.) Use care not to splash or splatter Fixer solution. Fixer will contaminate your Developer and cause poor film quality. Be sure to wipe up any spills immediately.
4. Fill the Developer Tank with 3 quarts of Developer.
5. Install the tan Wash/Dry Transport in the Wash Tank and close the transport latches. Install the baffle plates as shown in Figure 1, Detail B, if not already in place.
6. Carefully install the Fixer Transport in the middle tank and the Developer Transport in the front tank. Close the transport latches.
7. Replace the A/T 2000 M cover. Connect the cover electrical cord to the base. (The boot on the plug should be in the 12 o'clock position.) Secure by rotating the lock ring.

Automatic Replenisher Preparation for Operation

1. Fill and place the developer container into the left side of the Automatic Replenisher.
2. Insert black pick-up tube into bottle and secure cap.

3. In the same manner, install the fixer container onto the right side of the Automatic Replenisher. insert red pick-up tube and secure cap.
4. Turn the A/T 2000 M's Power Switch "ON". The Automatic Replenisher will pump for approximately one minute and then turn itself off.
5. Turn the Power Switch "OFF" for 5 seconds and then back on once again. The Automatic Replenisher will once again pump for approximately one minute. The Replenisher is now fully primed.

The A/T 2000 M and Automatic Replenisher Are Now Ready To Operate

Daily Operation

1. Turn on external water supply valve.
2. Check chemistry level in the Replenisher Reservoir containers. Fill containers if the level is less than 1/2" from the bottom.
3. Turn on the A/T 2000 M's power switch.
 - The Power Light, Temperature Indicator and Time Control will illuminate.
 - The Automatic Replenisher will pump approximately 5 ounces of chemistry into the developer and fixer tanks to counteract chemical oxidation.
4. Insert an 8" x 10" or 10" x 12" cleaning film. The process cycle will start automatically. After the cleaning film exits, the process cycle will stop automatically. Use a new cleaning film each week.
5. The Temperature Ready Light will illuminate within 10 to 25 minutes to indicate the A/T 2000 M is at the preset temperature and ready to process films.

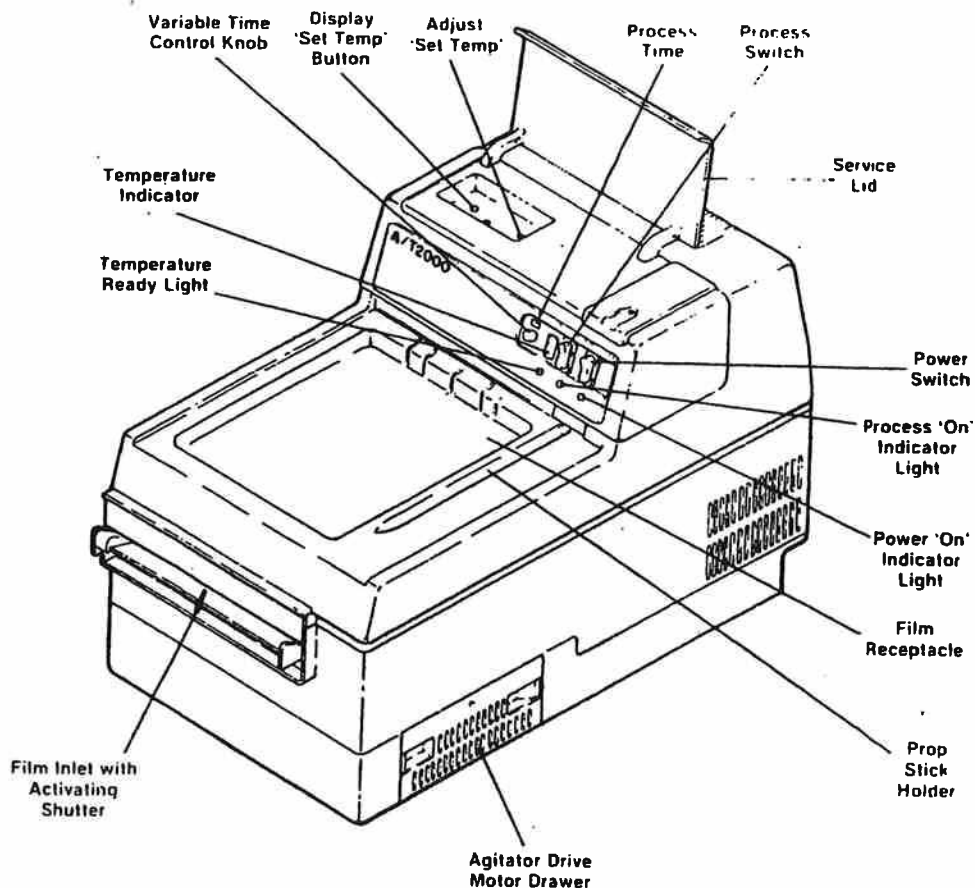


FIGURE 2

Processing Films

1. Adjust the Time Control Knob to the desired processing time. 2.5 minutes at 88° F is the nominal time/temperature setting for the A/T 2000 M. (The temperature may be adjusted by following the instructions under the service lid.)
2. To begin processing, insert a film. The process cycle will start automatically. When the film exits, the process cycle will automatically stop.

NOTE: The Process Switch should be used only to activate the process cycle when performing maintenance. When the switch is activated, the processor will run for the time set on the time control.
3. An audible signal will sound when a film is inserted into the A/T 2000 M. The signal will continue until the film has completely entered the processor. When the signal stops, another film may be inserted. To prevent overlapping of films, do not feed film until signal has stopped.
4. Wait 5 seconds after the signal stops before opening the darkroom door or turning on the lights.
5. While processing films, the A/T 2000 M's chemistry tanks will be automatically replenished based upon your film usage.
6. At the end of the day, turn off the Power Switch and external Water Supply Valve.
7. Do not prop open the cover overnight.

MAINTENANCE

Daily

- Run a cleaning film through the A/T 2000 M. (Replace with new film once each week.)
- If processor has been idle for more than four hours, run another cleaning film.

Weekly

- Remove roller transports and clean with a sponge under warm running water.
- Use a separate sponge for each transport to avoid chemistry contamination.
- Rotate gears and rollers while cleaning to insure all surfaces will be cleaned.
- Use Spray 2000 or water for cleaning.
- Do not use household cleansers, bleach, etc.
- Do not soak transports overnight.
- After thoroughly rinsing, place transport back into the A/T 2000 M.

When Necessary

- Drain spent chemistry from processor.
 - Clean transports and tanks with Formula 2000 or water.
 - Disassemble and clean chemistry circulators.
 - After cleaning, rinse all components well.
 - Refill processor and Automatic Replenisher with fresh chemistry.
- A complete line of maintenance chemicals is available from All-Pro Imaging.
Literature will be sent upon request.



TWELVE MONTH LIMITED WARRANTY

All-Pro Imaging equipment is warranted to be free from defects in material and workmanship for a period of twelve months from date of installation. Any item returned to our factory in Hicksville, New York, through an authorized dealer, will be repaired or replaced at our option at no charge, provided that our inspection shall indicate it to have been defective. Dealer labor and repair charges, or shipping and handling charges, are not covered by this warranty.

This warranty does not apply to damage due to shipping, misuse, careless handling or repairs by other than authorized service personnel. All-Pro Imaging is not liable for indirect or consequential damage or loss of any nature in connection with this equipment.

This warranty is in lieu of all other warranties expressed or implied. No representative or person is authorized to assume any other liability for us in connection with the sale of our equipment.



All-Pro Imaging Corp.

70 Cantiague Rock Road
P.O. Box 870
Hicksville, New York 11802
(516) 433-7676

